

# Orchard & Vineyard Spreader



**4-Ton Spreader**



**2-Ton Spreader**

## Versatility, Accuracy, Reliability

The industry's best spreading equipment value

Now you can apply lime, fertilizer and all types of pelletized material with accuracy and speed in any orchard or vineyard. Stoltzfus Spreaders are legendary for toughness, durability and ease of use. Fact is, there are plenty of 30-year old Stoltzfus Spreaders still working hard. And not many brands can say that.

Precision drive and material delivery system delivers the same amount of material regardless of ground speed for consistent and accurate material application rates.

Why settle for anything less than a Stoltzfus Spreader, the machine made to last?

- Extreme-duty construction in every detail
- Spreads any flowable granular material
- Compatible with precision farming systems
- Custom features on request
- PTO or hydraulic ground drive controls



# Discover the Stoltzfus difference.



## CUSTOM WIDTHS

## HINGED CENTER DIVIDER

## LIMITED CENTER DEFLECTOR

## BANDING DEFLECTORS

## LIMB GUARDS

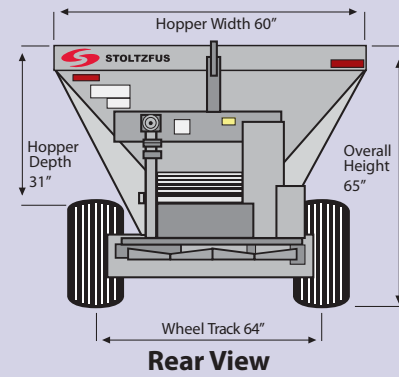
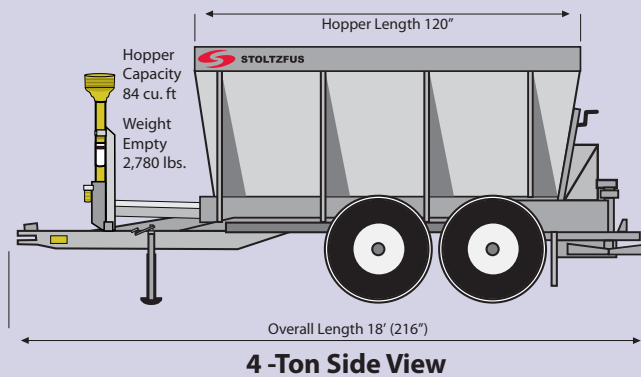
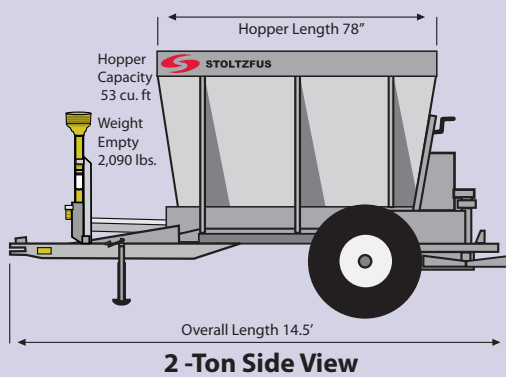
■ Many configurations available, call to discuss your requirements.

■ Perfect for spreading to only one side of the spreader.

■ Helps prevent spreading behind spreader.

■ Useful for especially narrow spread patterns.

■ Limb Guards on front and sides to prevent crop from catching on side braces.



Morgantown, PA 19543  
1-800-843-8731  
[www.stoltzfusmfg.com](http://www.stoltzfusmfg.com)

**Call us today to discuss your spreading needs.**